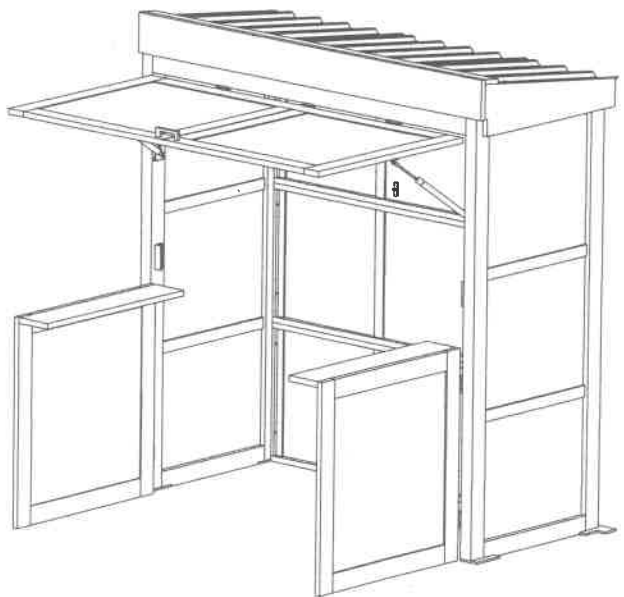
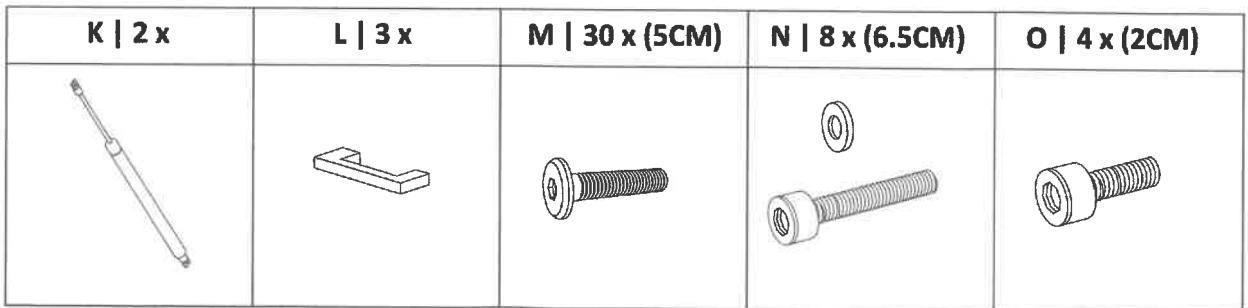
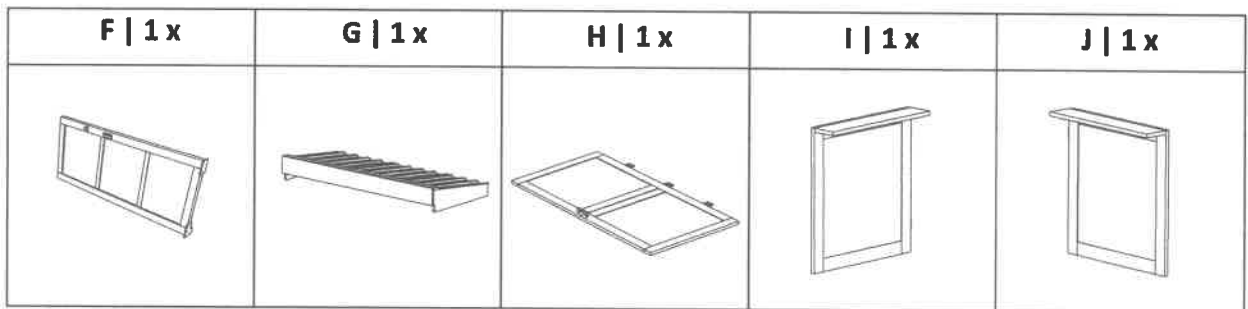
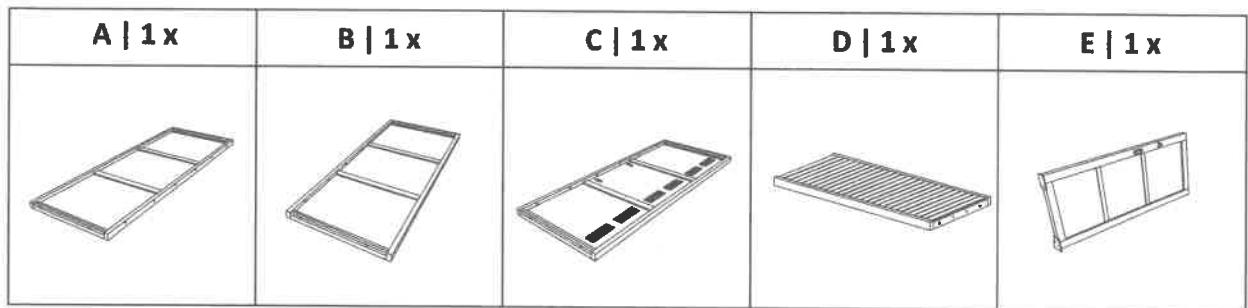
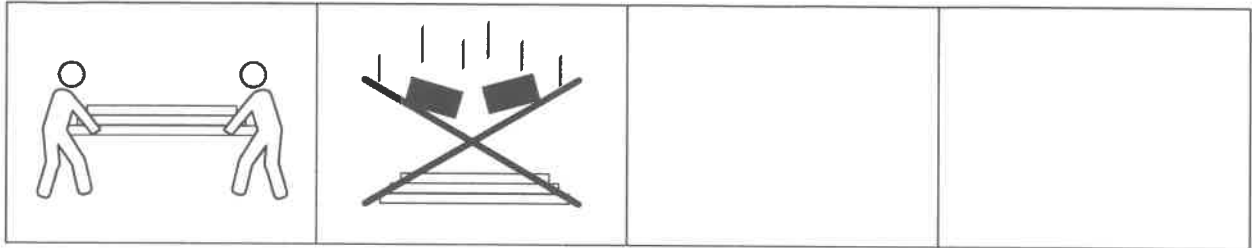
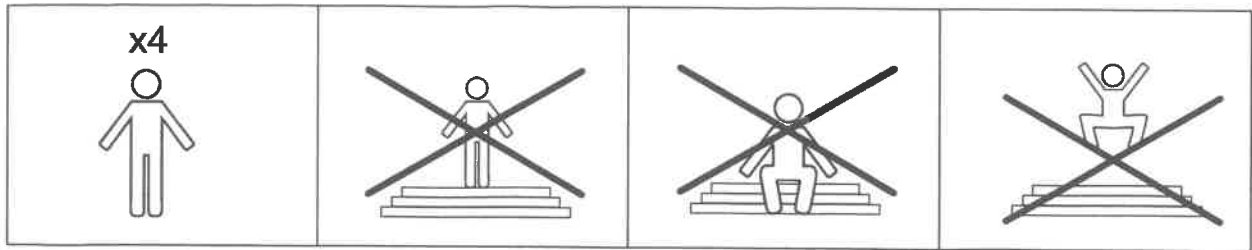
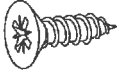
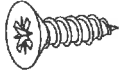

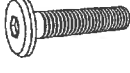




ASSEMBLY INSTRUCTION










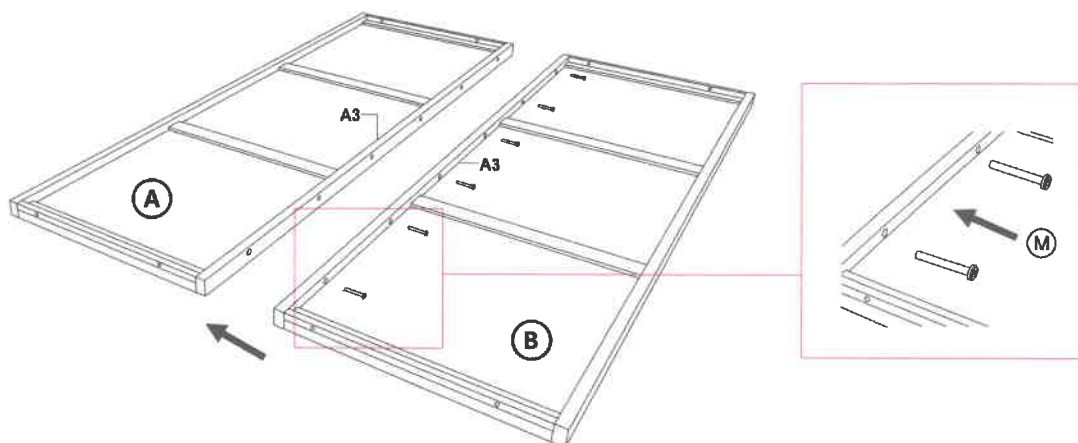
P 35 x (3CM)	Q 4 x (3.5CM)	R 4 x (10MM)	Z 2 x (4CM)	ALLEN KEY (4MM)
				

ALLEN KEY (6MM)				
				

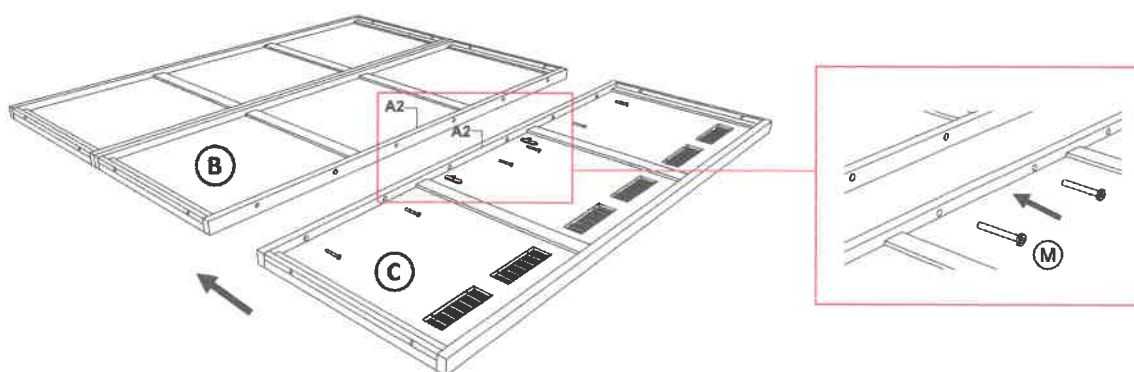
1.

A 1 x	B 1 x	C 1 x	M 12 x (5CM)	ALLEN KEY (4MM)	
					

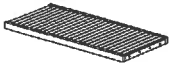

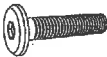

① Connect product (A) and product (B) tighten with jcbc bolts (M) according to the code



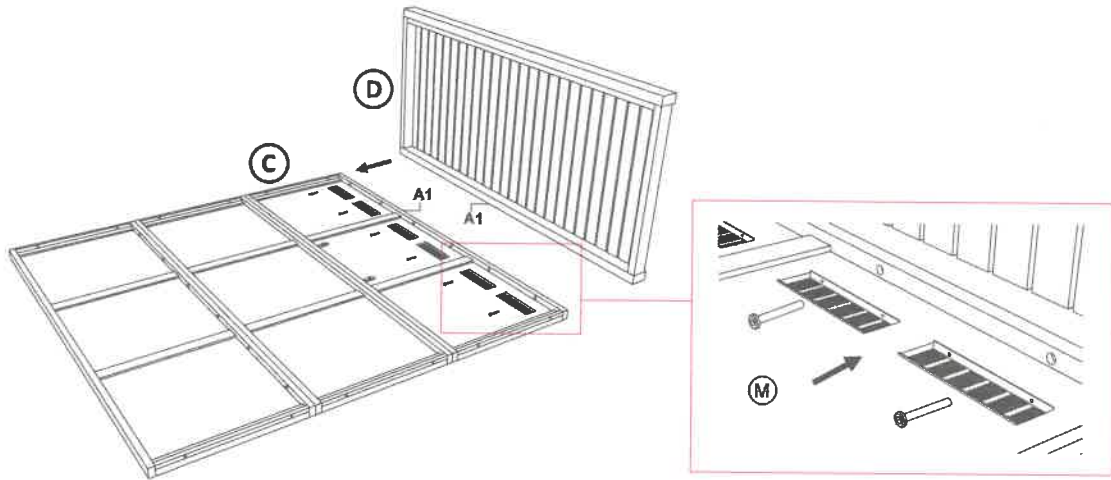
② Connect product (B) and product (C) tighten with jcbc bolts (M) according to the code



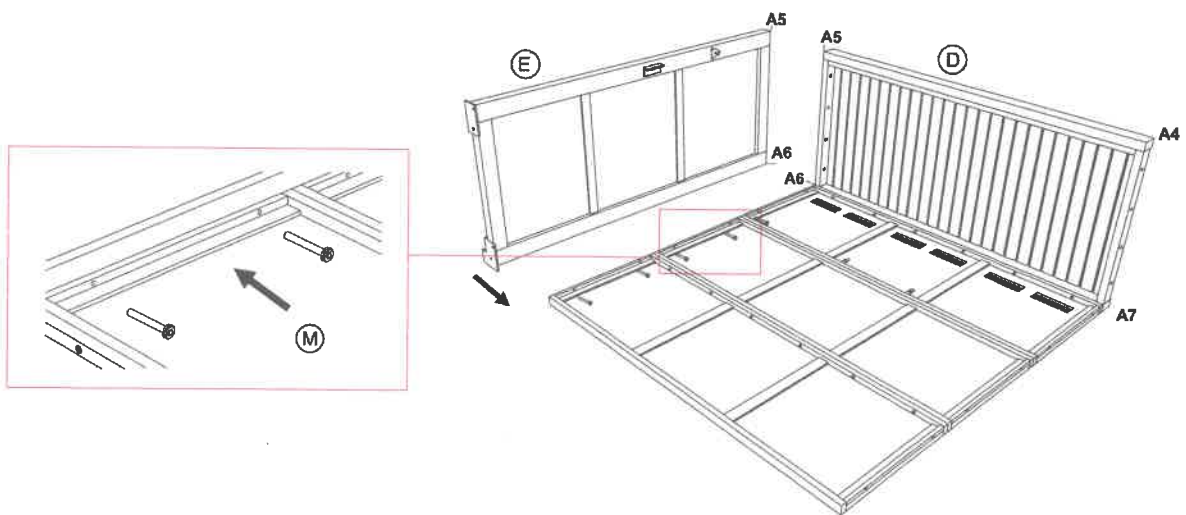
2.

D 1 x	E 1 x	M 12 x (5CM)	ALLEN KEY (4MM)		
					


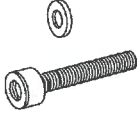
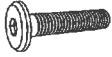
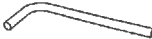

3 Connect product (C) and product (D) tighten with jcbc bolts (M) with ALLEN KEY 4MM according to the code



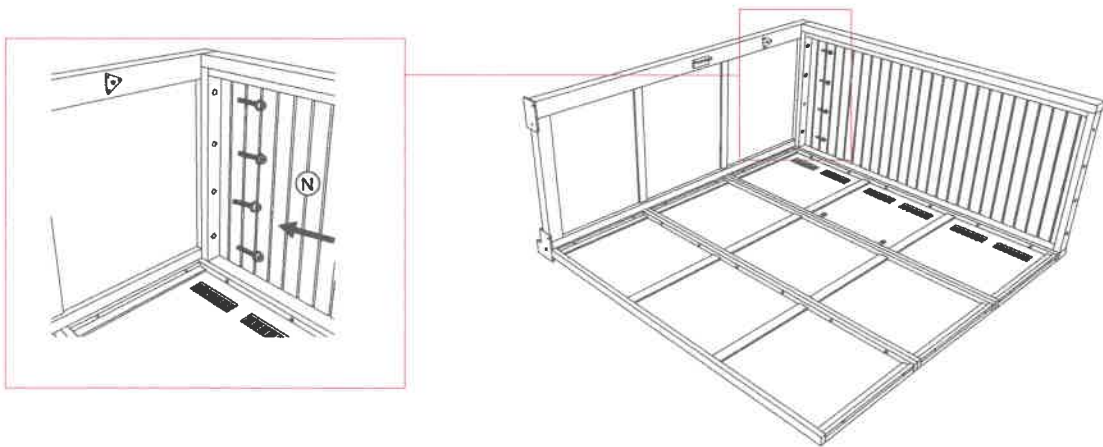
4 Connect tenon and mortise according to the code then tighten with jcbc bolts (M) with ALLEN KEY 4MM



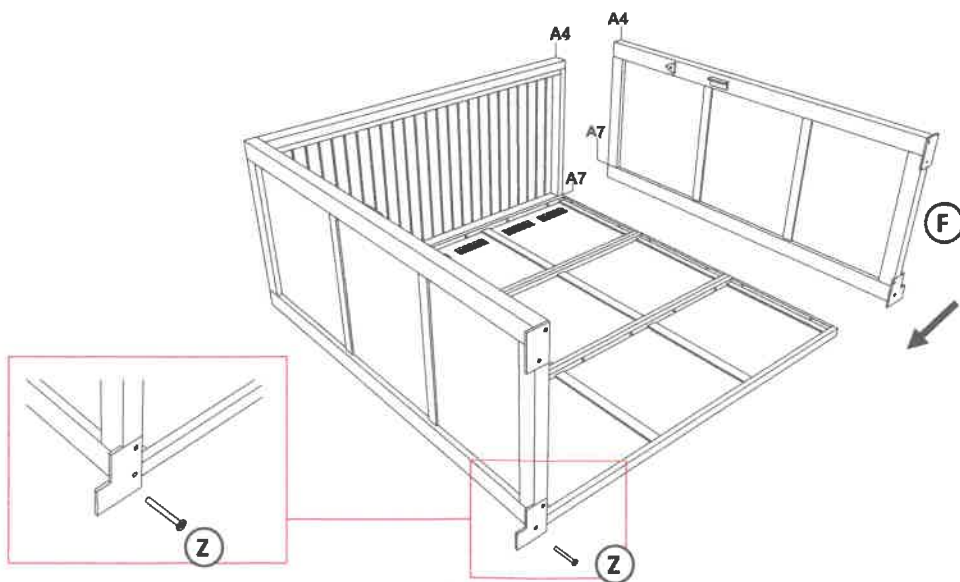
3.

F 1 x	N 4 x (6.5CM)	Z 1 x (4CM)	ALLEN KEY (4MM)	ALLEN KEY (6MM)	
					

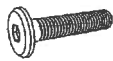
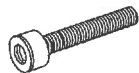

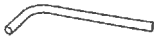
5 Connect product (E) and product (D) tighten with bolts (N) using ALLEN KEY 6MM according to the code



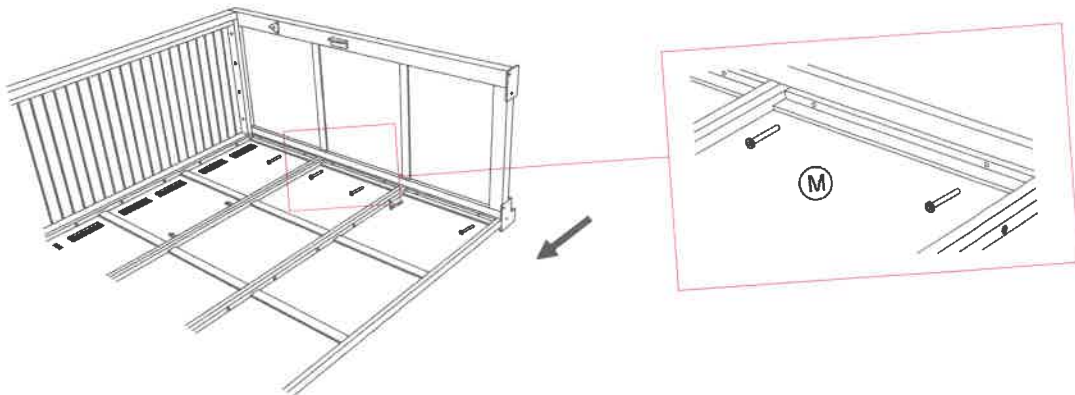
6 Connect tenon and mortise according to the code then tighten with jcbc bolts (Z) with ALLEN KEY 4MM



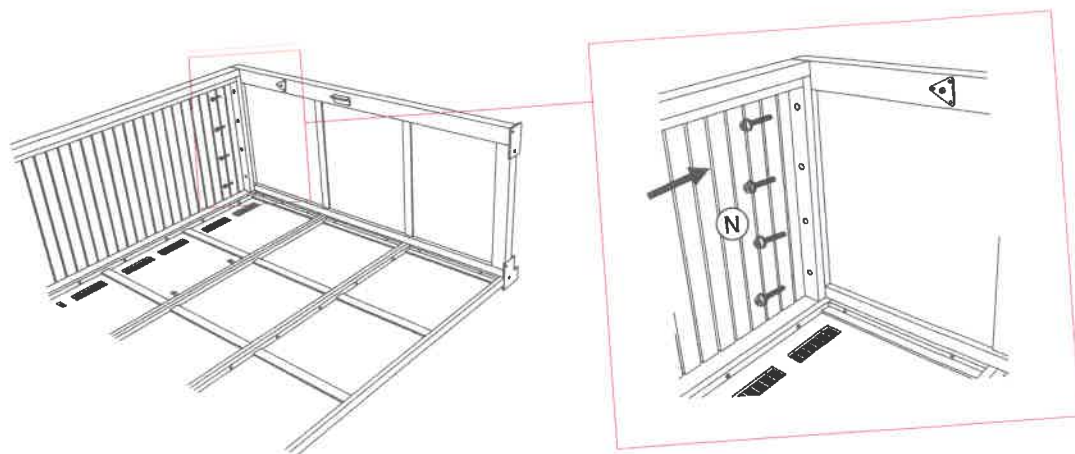
4.

M 6 x (5CM)	N 4 x (6.5CM)	ALLEN KEY (4MM)	ALLEN KEY (6MM)
			



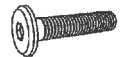

7 Tighten with jcbc bolts (M) with ALLEN KEY 4MM



8 Tighten with bolts (N) with ALLEN KEY 6MM according to the code



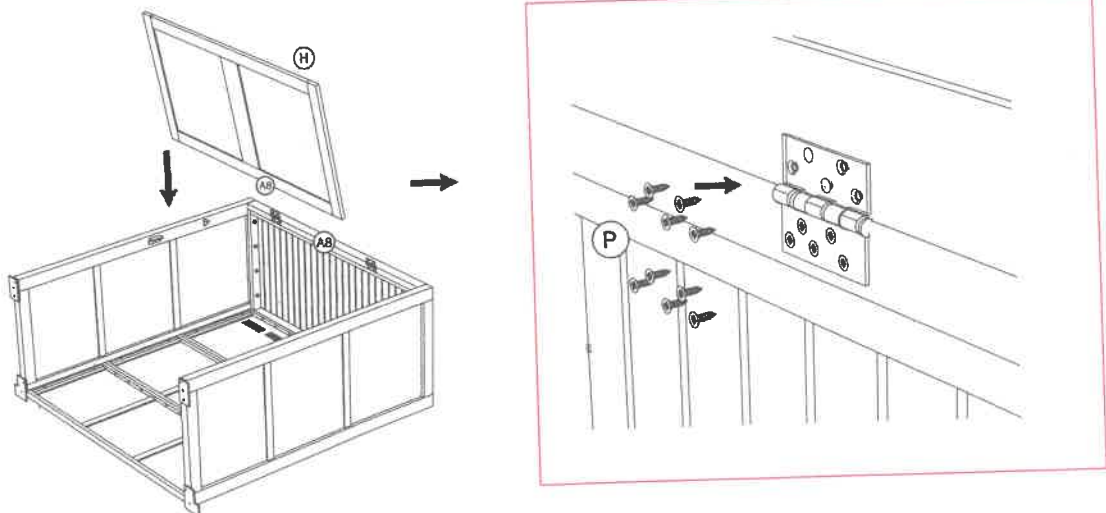
5.

H 1 x	P 15 x (3CM)	Z 1 x (4CM)	ALLEN KEY (4MM)		
					




9 Tighten leg with jcbc bolts (Z) with ALLEN KEY 4MM



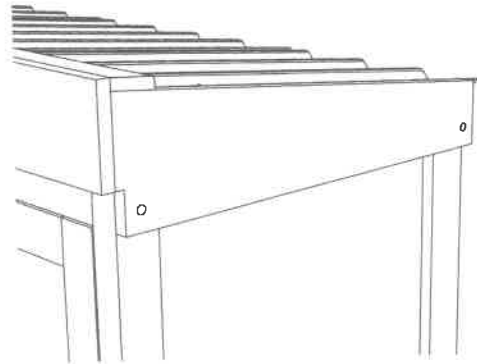
10 Install door to the body product and tighten with screw (P)



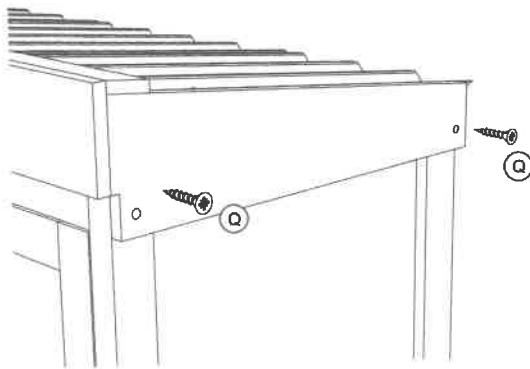
6.

G 1 x	Q 4 x (4CM)	R 4 x (10MM)			
					

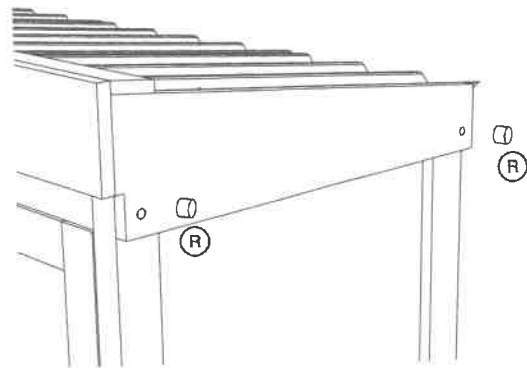
11 Install top door to the product and make sure the front is flat




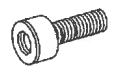

12 tighten on both side with screw (Q)



12 Install dowels (R) on both sides

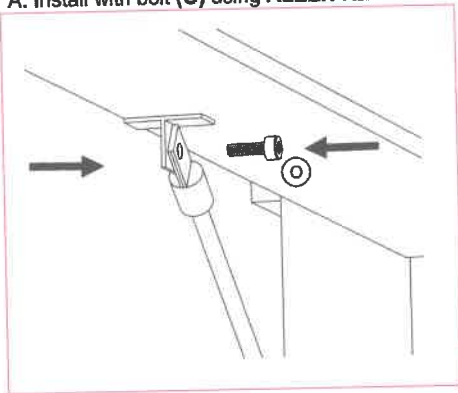


7.

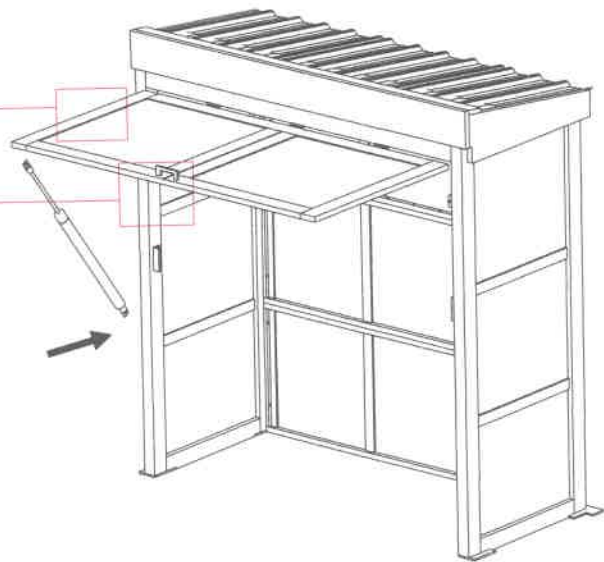
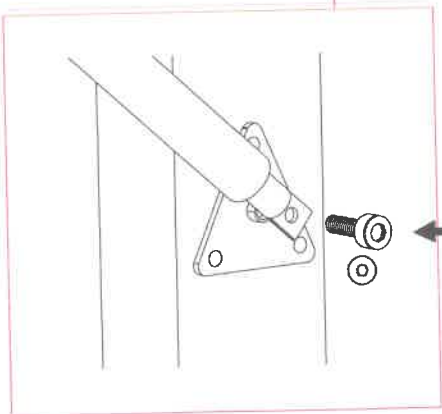
K 2 x	O 4 x (2CM)	ALLEN KEY (6MM)			
					

13 Install bracket (K) to the product

A. Install with bolt (O) using ALLEN KEY 6MM



B. Install with bolt (O) using ALLEN KEY 6MM



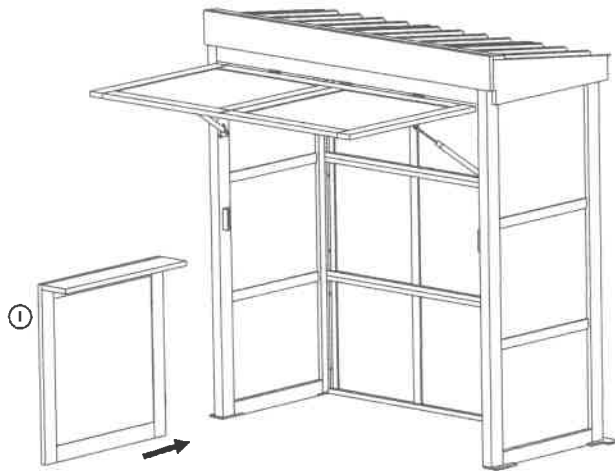
8.

I | 1 x

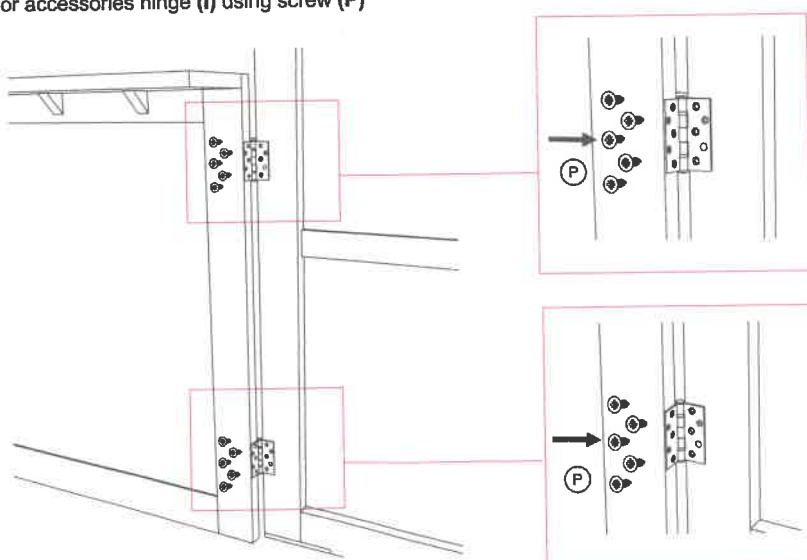
P | 10 x (3CM)



14 Install bottom door to the product



15 Install door accessories hinge (I) using screw (P)



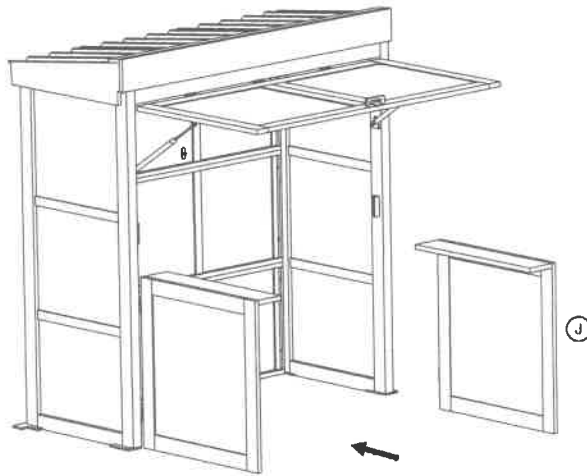
9.

J | 1 x

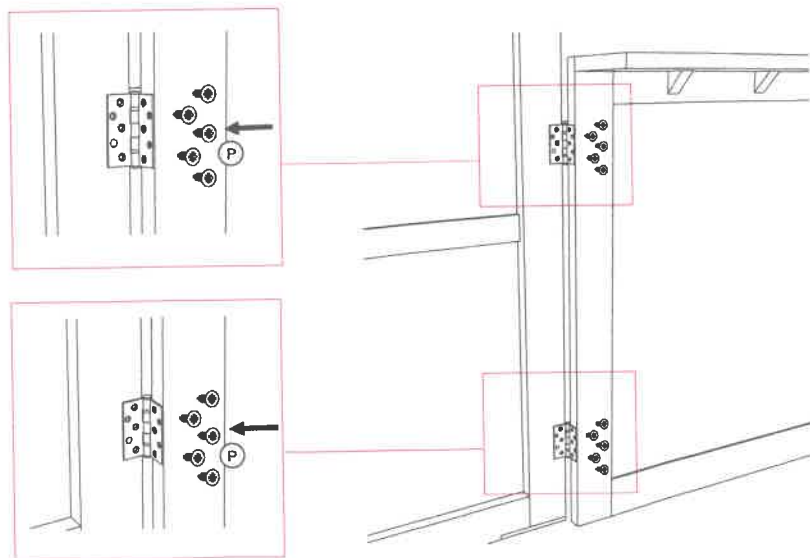
P | 10 x (3CM)



16 Install bottom door to the product



17 Install door accessories hinge (H) using screw (P)

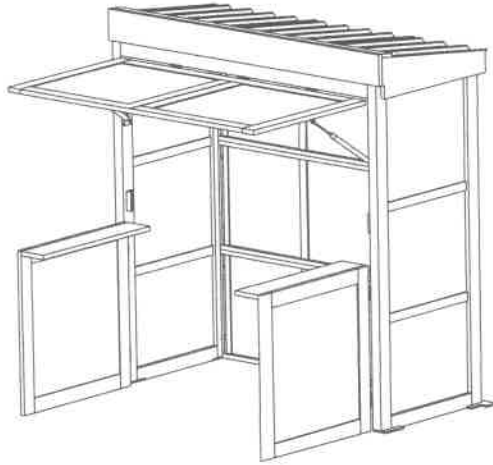


10.

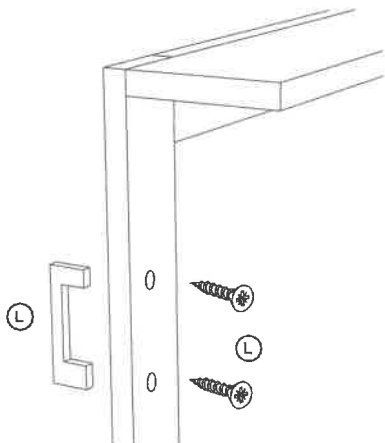
L | 3 x



18 After all the parts are installed until it looks like in the picture



19 Install door accessories handle on the booth side (L)



20 Install door accessories handle (L)

